



600 LB



OUR CARTS
HAUL
MORE

PROUDLY
MADE IN THE
USA



BUILT
HEAVY DUTY
TO OUTLAST
OTHERS



THREE
YEAR
LIMITED
WARRANTY

The new lightweight hand truck from American Cart features a body and foot plate made out of aluminum. The cart is 25% lighter than our comparable steel hand truck while still boasting the same 600 lb hauling capacity.

FEATURES

- 3/4" axle
- 10" Flat free, high capacity wheels
- D-brackets on axle add more stability and strength
- Powder coated steel handles with rubber grips
- Aluminum body
- Extruded footplate - 18"W x 9"D
- 600 lb capacity

STANDARD AMERICAN CART FEATURES

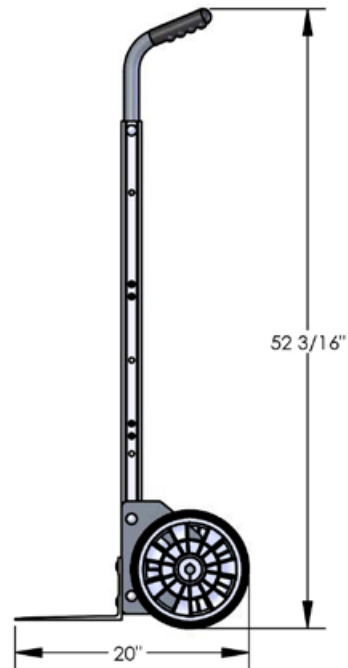
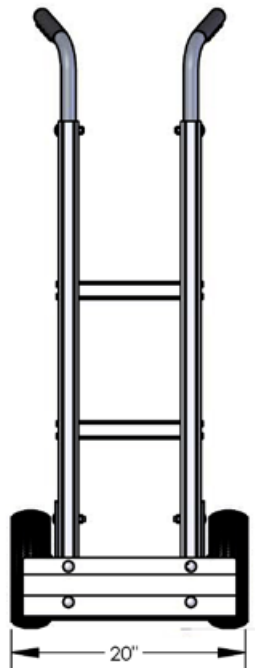
- **Made in the USA**
Hand crafted at our Ohio plant.
- **Heavy-duty comes standard**
American Carts are all built to heavy duty specs
- **Aluminum Construction**
Light weight and durable
- **D-Brackets**
One piece design supports the axle and load better than the competition
- **3/4" Axle**
Industry leading axle size for maximum strength.
- **Easy to operate**
Designed to get work done with less muscle strain and simple operation.
- **Ready to ship**
in stock and ready to ship
- **Three Year Limited Warranty**

RAPTOR
HIGH PERFORMANCE ALUMINUM PRODUCTS



AMERICAN CART & RACK

MANUFACTURED BY GRANITE INDUSTRIES



Dimensions:	W: 20"	D: 20"	H: 52"
Foot Plate:	W: 18"	D: 9"	
Weight:	28 lbs.	Capacity:	600 lbs.
Typically Ships:	UPS, some assembly required		



Expect more. get more.
FROM GRANITE INDUSTRIES

- Exceptional quality and service on every product.
- Professional grade designs by in house engineers.
- Industry leading warranties.
- Family owned and operated in the USA.

MADE IN THE USA GUARANTEE



Our American made products are engineered, manufactured and assembled in Archbold, OH using USA made steel.



**GRANITE
INDUSTRIES**

877-447-2648
graniteind.com
americancartandrack.com

Scan the QR code to view more products.

