



1,000 LB
OUR CARTS
HAUL MORE

**PROUDLY
MADE IN THE
USA**

**FLAT
FREE
TIRES**

3yr
**THREE
YEAR
LIMITED
WARRANTY**

FEATURES

- 3/4" axle
- 10" Flat free wheels with steel hubs
- Welded one piece steel frame
- E-Track ratchet system, 12' E-Strap sold separately (PI-11-0212)
- Oversized folding footplate - 27"W x 31"D
- Adjustable rear swivel wheels

STANDARD AMERICAN CART FEATURES

- **Made in the USA**
Hand crafted at our Ohio plant.
- **Heavy-duty comes standard**
American Carts are all built to heavy duty specs
- **Powder coated finish**
Protects the steel and provides a lasting finish
- **Steel construction**
Built from American sourced steel
- **D-Brackets**
One piece design supports the axle and load better than the competition
- **3/4" Axle**
Industry leading axle size for maximum strength.
- **Easy to operate**
Designed to get work done with less muscle strain and simple operation.
- **Ready to ship**
in stock and ready to ship
- **Three Year Limited Warranty**



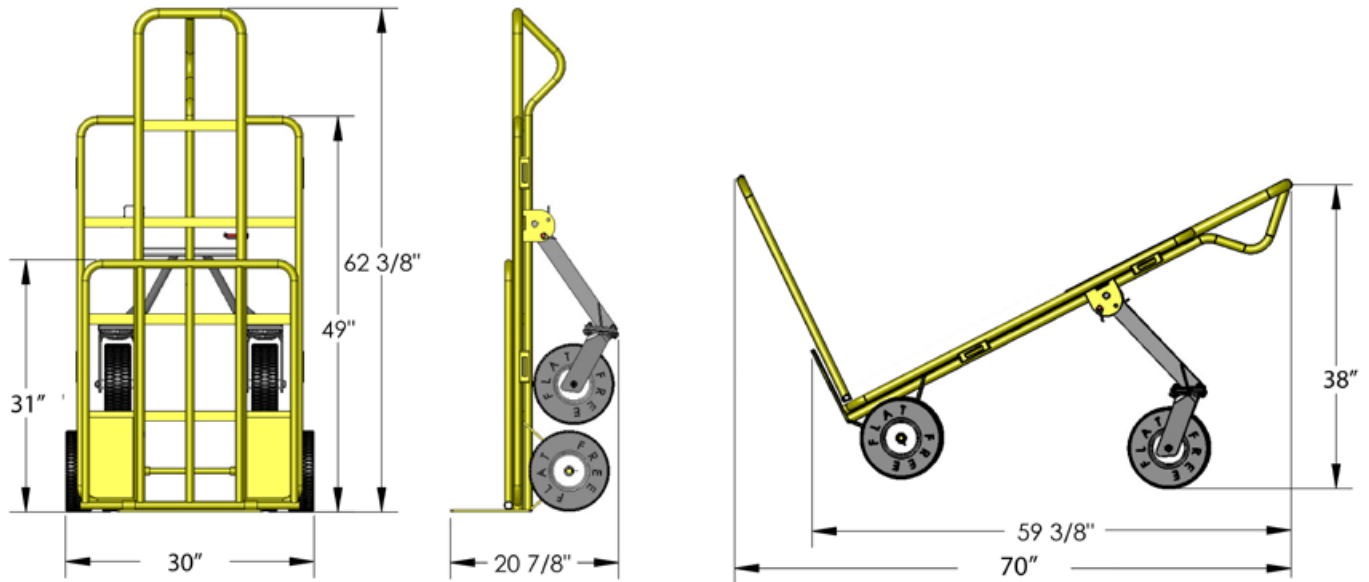
E-strap system comes standard.



Compatible with the Mantis Chair Pallet.

AMERICAN CART & RACK

MANUFACTURED BY GRANITE INDUSTRIES



Dimensions:* **W:** 30" **D:** 70" **H:** 38"

Foot Plate: **W:** 27" **D:** 31"

Weight: 134 lbs. **Capacity:** 1,200 lbs.

Typically Ships: Freight; some assembly required

*Measurements taken on 4 wheels with folding foot plate open

CARTON INFORMATION

Dimensions: **W:** 29" **D:** 16" **H:** 64"

Weight 154 lbs.



Expect more. get more.
FROM GRANITE INDUSTRIES

- Exceptional quality and service on every product.
- Professional grade designs by in house engineers.
- Industry leading warranties.
- Family owned and operated in the USA.

MADE IN THE USA GUARANTEE



Our American made products are engineered, manufactured and assembled in Archbold, OH using USA made steel.



**GRANITE
INDUSTRIES**

877-447-2648

graniteind.com

americancartandrack.com

Scan the QR code to view more products.

