



350 LB



OUR CARTS
HAUL
MORE

PROUDLY
MADE IN THE
USA



BUILT
HEAVY DUTY
TO OUTLAST
OTHERS



THREE
YEAR
LIMITED
WARRANTY

FEATURES

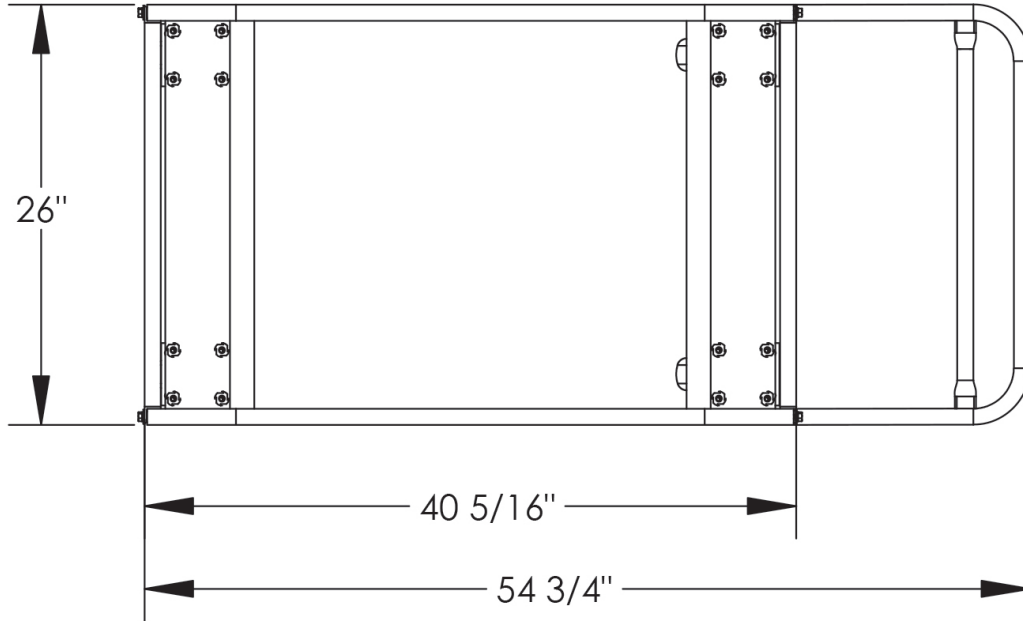
- 5" casters; 2 swivel, 2 fixed
- Holds up to five 5' round tables
- 350 lb capacity

STANDARD AMERICAN CART FEATURES

- **Made in the USA**
Hand crafted at our Ohio plant.
- **Heavy-duty comes standard**
American Carts are all built to heavy duty specs
- **Powder coated finish**
Protects the steel and provides a lasting finish
- **Steel construction**
Built from American sourced steel
- **Easy to operate**
Designed to get work done with less muscle strain and simple operation.
- **Ready to ship**
in stock and ready to ship
- **Three Year Limited Warranty**

AMERICAN CART & RACK

MANUFACTURED BY GRANITE INDUSTRIES



Dimensions: **W:** 26" **D:** 55" **H:** 43"

Weight: 60 lbs. **Capacity:** 350 lbs.

Typically Ships: UPS; some assembly required.